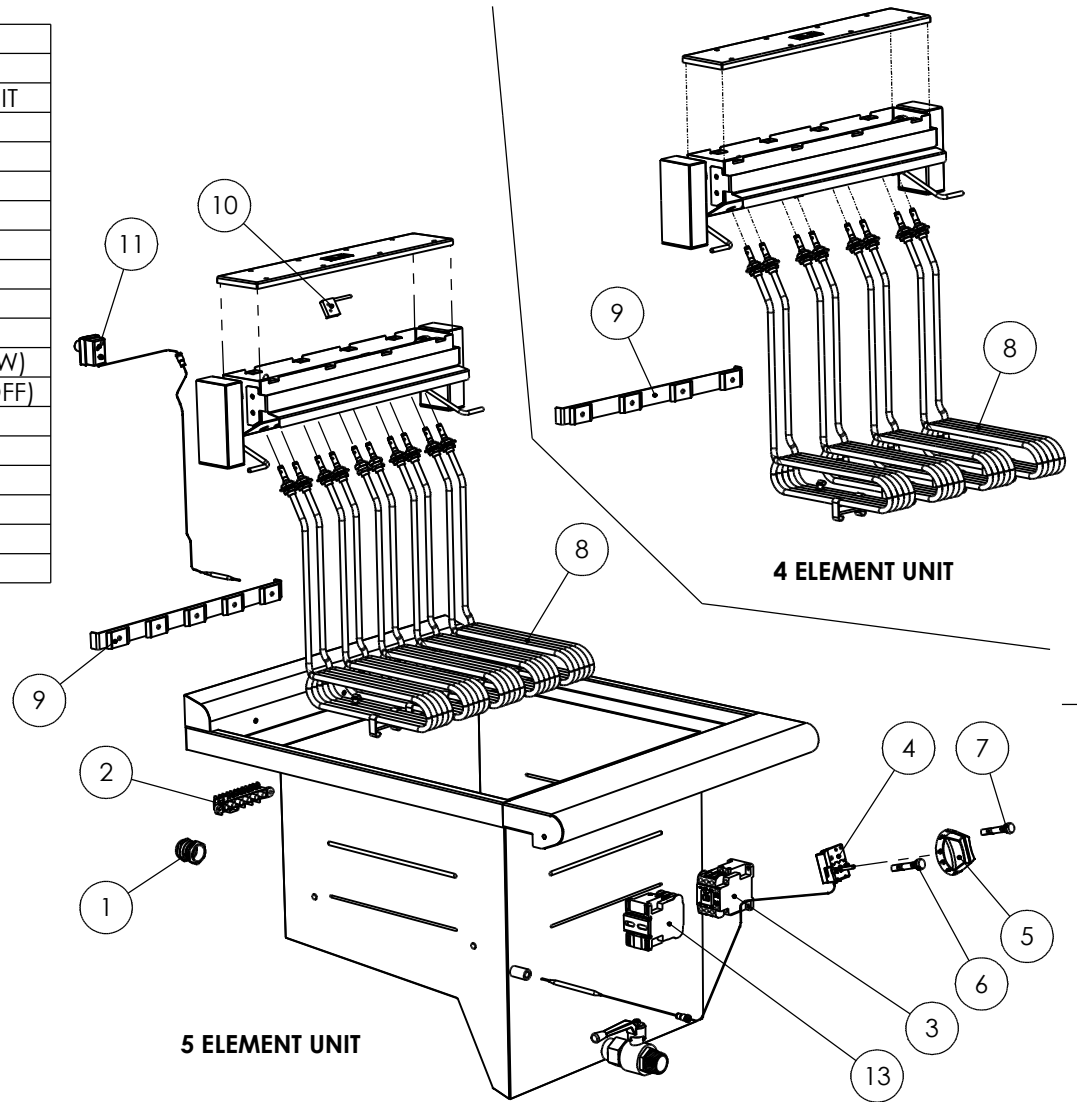


ITEM	DESCRIPTION	SPARES No	
		5 ELEMENT UNIT	4 ELEMENT UNIT
1	MAINS CABLE GLAND C/W NUT	731350026	
2	MAINS TERMINAL BLOCK	731000006	
3	SAFETY CONTACTOR	734510010	
4	OPERATING THERMOSTAT	731320106	
5	CONTROL KNOB	731320107	
6	RED NEON	735010370	
7	AMBER NEON	735010380	
8	ELEMENT C/W GASKETS	731330009 (3.65kW)	731320108 (5kW)
8.1	ELEMENT SET C/W GASKETS	731330010 (5 OFF)	731330006 (4 OFF)
9	ELEMENT CLAMP ASSEMBLY	731330011	731330007
10	TILT SWITCH	735750014	
11	SAFETY STAT C/W FITTINGS	731320111	
12	WIRING LOOM ( NOT SHOWN )	731330012	731330008
13	OPERATING CONTACTOR	734510010	

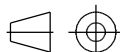


4 ELEMENT UNIT - PRE SERIAL No F531696  
5 ELEMENT UNIT - POST AND INC. SERIAL No F531696

# PRODUCTION ISSUE

ISSUE	MOD No	ALTERATION	DRAWN BY	DATE
A	1287/4	PRODUCTION ISSUE	G.SMITH	21/12/11
B	6805	DETAILS OF 5 ELEMENT VERSION ADDED	G.SMITH	16/01/13
C	7928	SAFETY CONTACTOR (ITEM 13) ADDED.	G.SMITH	22/08/17

IF IN DOUBT ASK  
DO NOT SCALE  
FIRST ANGLE PROJECTION



UNLESS OTHERWISE SPECIFIED:  
DIMENSIONS ARE IN MILLIMETERS  
TOLERANCES:  
LINEAR: ±0.5mm  
ANGULAR: ±0.5 DEG

DEBUR AND  
BREAK SHARP EDGES

WEIGHT: 82135.18g



DRAWN: G.SMITH

DATE: 21/12/11

SCALE:

MATL:

THICKNESS:

BIN No:

PRODUCT

**E3860 DOMINATOR PLUS FRYER**

TITLE

**SPARES - CONTROLS**

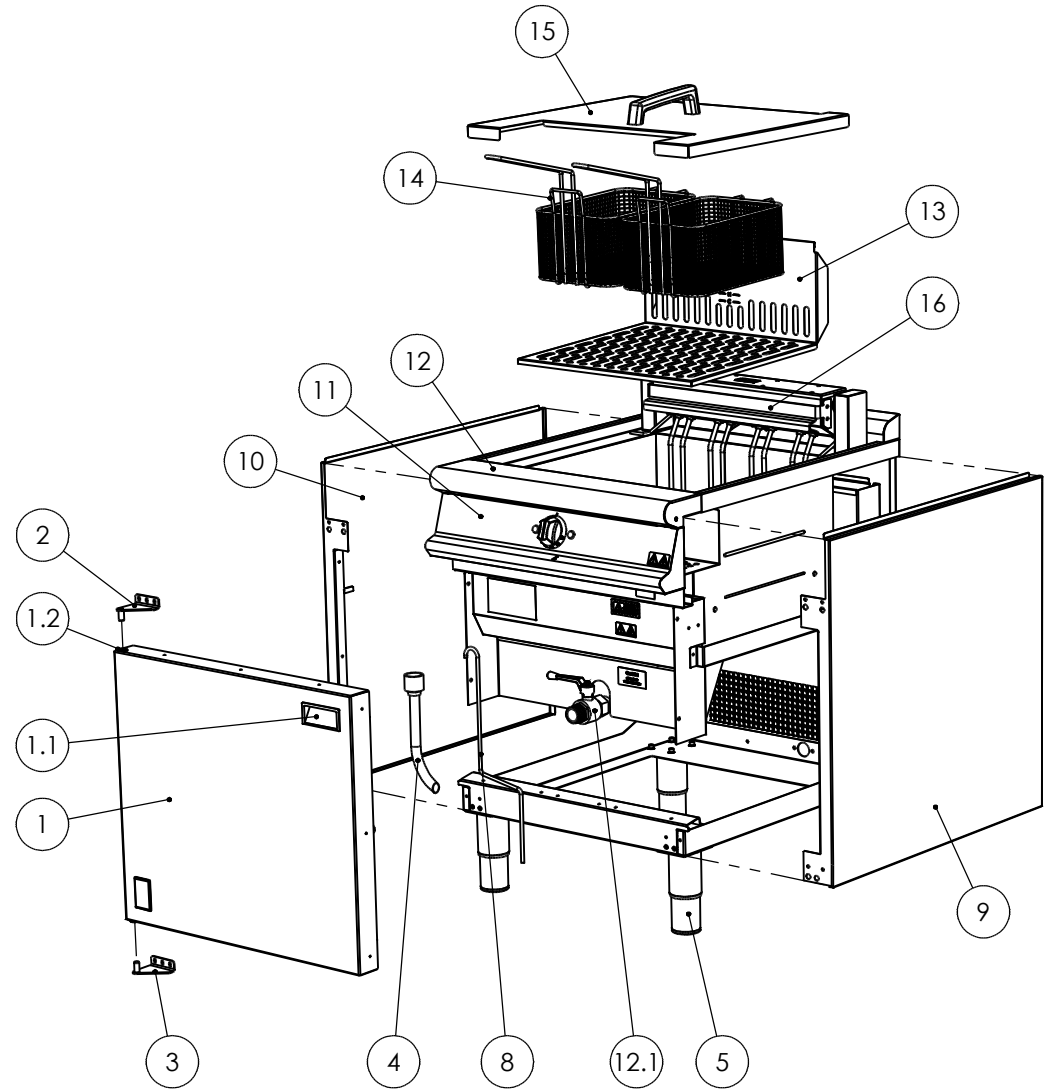
DRAWING NUMBER

**AD49203**

ISSUE

**C**


ITEM	DESCRIPTION	SPARES No
1	DOOR ASSEMBLY	731330000
1.1	DOOR HANDLE	736010020
1.2	DOOR HINGE BUSH ( x2 )	536060036
2	DOOR HINGE - TOP	535200006
3	DOOR HINGE - BOTTOM	535200007
4	DRAIN TUBE ASSEMBLY	535710015
5	ADJUSTABLE FOOT	535290028
6	CASTOR - BRAKED ( x2 ) - NOT SHOWN	536430110
7	CASTOR - FIXED ( x2 ) - NOT SHOWN	536470013
8	DRAIN PROD / LIFTING TOOL	731350012
9	OUTER SIDE PANEL - RH	535580002
10	OUTER SIDE PANEL - LH	535580003
11	CONTROL PANEL	731330001
12	HOB/PAN ASSEMBLY C/W DRAIN VALVE	731330002
12.1	DRAIN VALVE ASSEMBLY	535670008
13	ELEMENT GUARD	731330003
14	BASKET ( x1 )	531302010
15	DUST COVER	731330004
16	BASKET HANGER	731330005



**CLEARED FOR PRODUCTION**

ISSUE	MOD No	ALTERATION	DRAWN BY	DATE
A	1287/4	PRODUCTION ISSUE	G.SMITH	21/12/11

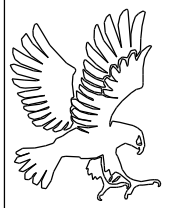
IF IN DOUBT ASK  
DO NOT SCALE  
FIRST ANGLE PROJECTION



UNLESS OTHERWISE SPECIFIED:  
DIMENSIONS ARE IN MILLIMETERS  
TOLERANCES:  
LINEAR: ±0.5mm  
ANGULAR: ±0.5 DEG

DEBUR AND  
BREAK SHARP EDGES

WEIGHT: 82211.21g



DRAWN: <b>G.SMITH</b>	PRODUCT <b>E3860 DOMINATOR PLUS FRYER</b>	
DATE: <b>21/12/11</b>	TITLE <b>SPARES - MAIN BODY</b>	
SCALE:	DRAWING NUMBER	ISSUE
MATL:	<b>AD49202</b>	<b>A</b>
THICKNESS:	FINISH:	PART No:
BIN No:		